

## Motion detector

# IS 140-2

white  
EAN 4007841 608910  
Article number 608910



infrared sensor  
140°



max. 14 m

1000 W

1000 W max.



IP54



180° horizontal, 90°  
vertical



2 - 2000 lux



8 sec - 35 min



Ideal 2 m



energy saving

3 years

manufacturer's  
warranty steinel.de/  
garantie

## Function description

The classic detector, now with even more class. Infrared motion detector IS 140-2, for indoors and out, ideal for targeted detection close to the building, 140° angle of coverage, reach up to 14 m, selectable time and twilight threshold, sensor turns through 180° and tilts through 90° for exact adjustment of the detection zone.

## Technical specifications

Dimensions (L x W x H)	99 x 86 x 82 mm	LED lamps > 2 W < 8 W	125 W
Manufacturer's Warranty	3 years	LED lamps > 8 W	250 W
Settings via	Potentiometers	Capacitive load in µF	88 µF
With remote control	No	Technology, sensors	passive infrared, Light sensor
Version	white	Mounting height	1,80 – 3,00 m
PU1, EAN	4007841608910	Mounting height max.	3,00 m
Type	Motion detectors	Optimum mounting height	2 m
Application, place	Outdoors, Indoors	Detection angle	140 °
Application, room	outdoors, front door, all round the building, terrace / balcony, courtyard & driveway	Angle of aperture	40 °
Colour	white	Sneak-by guard	Yes
Colour, RAL	9010	Capability of masking out individual segments	Yes
Includes corner wall mount	No	Electronic scalability	No
Installation site	wall, corner	Mechanical scalability	No
Installation	Surface wiring, Wall	Reach, radial	r = 3 m (11 m <sup>2</sup> )
IP-rating	IP54	Reach, tangential	r = 14 m (239 m <sup>2</sup> )
Protection class	II	Switching zones	144 switching zones

<https://www.steinel.de>

Subject to technical modifications

10.2024 Page 1 from 3

Motion detector

# IS 140-2

white  
EAN 4007841 608910  
Article number 608910



## Technical specifications

Ambient temperature	-20 – 50 °C
Material	Plastic
Mains power supply	230 – 240 V / 50 Hz
Switching output 1, resistive	1000 W
Fluorescent lamps, electronic ballast	250 W
Fluorescent lamps, uncorrected	500 VA
Fluorescent lamps, series-corrected	500 VA
Fluorescent lamps, parallel-corrected	500 VA
Switching output 1, low-voltage halogen lamps	1000 VA
LED lamps < 2 W	100 W

Twilight setting	2 – 2000 lx
Time setting	8 s – 35 Min.
Basic light level function	No
Main light adjustable	No
Twilight setting TEACH	No
Constant-lighting control	No
Interconnection	Yes
Type of interconnection	Master/master
Interconnection via	Cable
Product category	Motion detector

## Accessories

EAN 4007841 631765	Corner wall mount 07
EAN 4007841 631864	Corner wall mount 07

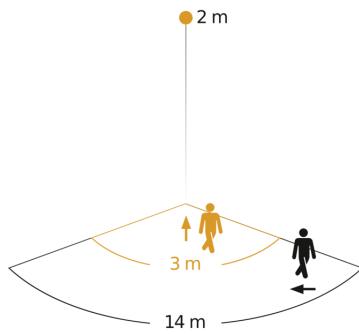
Motion detector

# IS 140-2

white  
EAN 4007841 608910  
Article number 608910

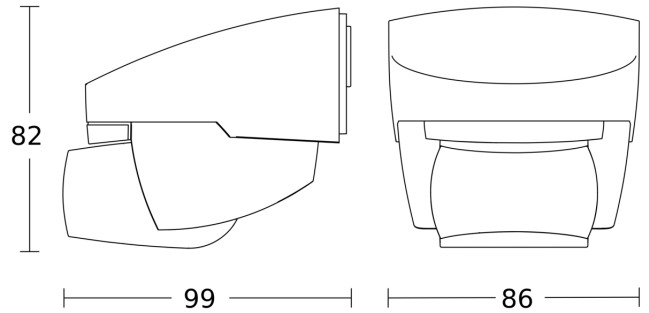


## Detection Zone

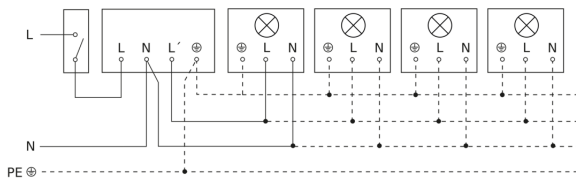


Possible mounting height: 1,80 m - 3,00 m  
Orange: radial  
Black: tangential

## Dimension Drawing



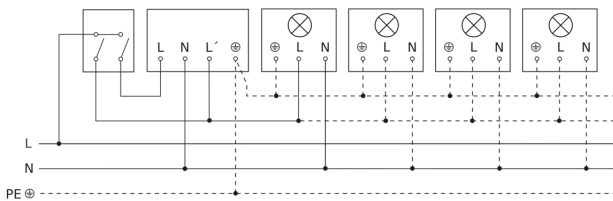
## Light without neutral conductor



## Light with neutral conductor



## Connection using two-circuit switch for manual and automatic operation



## Circuit diagram Connection via a changeover switch for continuous and automatic operation

